

VIEW A-A

NOTE: 1
DESIGN CODE:
NS-EN 13445

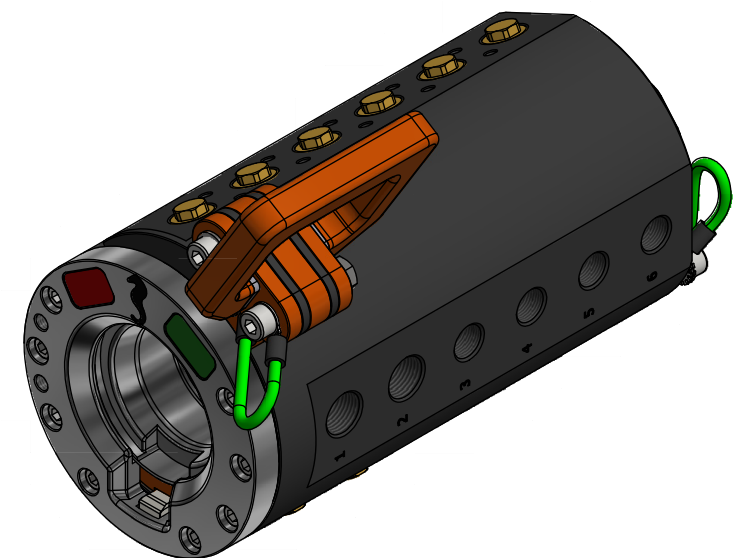
NOTE: 2
TECHNICAL CLASSIFICATION:
Article Type: 003-Valve Stabs
Main Group: 3.03. Ø55-Valvestab
Intermediate Group: 3.12.02. Receptacle
Sub Group: 3.12.69.6. Hexa

NOTE: 3
INTERFACE INFORMATION:
Pressure Rating Bar: 250
Design Water Depth: 3000m
Material: Intervention
Weight in Air: 11,8 kg
Volume: 2,63 dm³
Submerged Weight: 9,11 kg
Surface Area: 5260 cm²
Hydraulic: 1/2" BSPx2 - 3/8" BSPx4
Mechanical: N/A
Electrical: N/A
Com. & Protocol: N/A

NOTE: 4
SPAREPARTS:
BB1690

NOTE: 5
ADDITIONAL INFORMATION:
This VStab Receptacle is only compatible with hexa port Vstab with 2 off 1/2" BSP ports and 4 off 1/4" BSP ports. Mating of Vstabs and Vstab Receptacles with different number of ports may cause injuries, equipment damage and spill of fluid.

Usermanual: 600112-TD-0003



Rev.	Date	Reason for issue	Revision change	Made	Chk'd	Appr.
02	23.6.2025	9-IFU (Issued for Use)		WTJ	LGH	WTJ
01	12.7.2024	9-IFU (Issued for Use)		WTJ	HNJ	LGH



Dwg Scale:	NTS
Dwg Proj:	
Dwg Format:	A3

Drawing title:	Ø55 HP VStab Rec Interv 250Bar BSP 1/2"x2-BSP 3/8"x4	
Drawing number:	BC1367	Rev 02